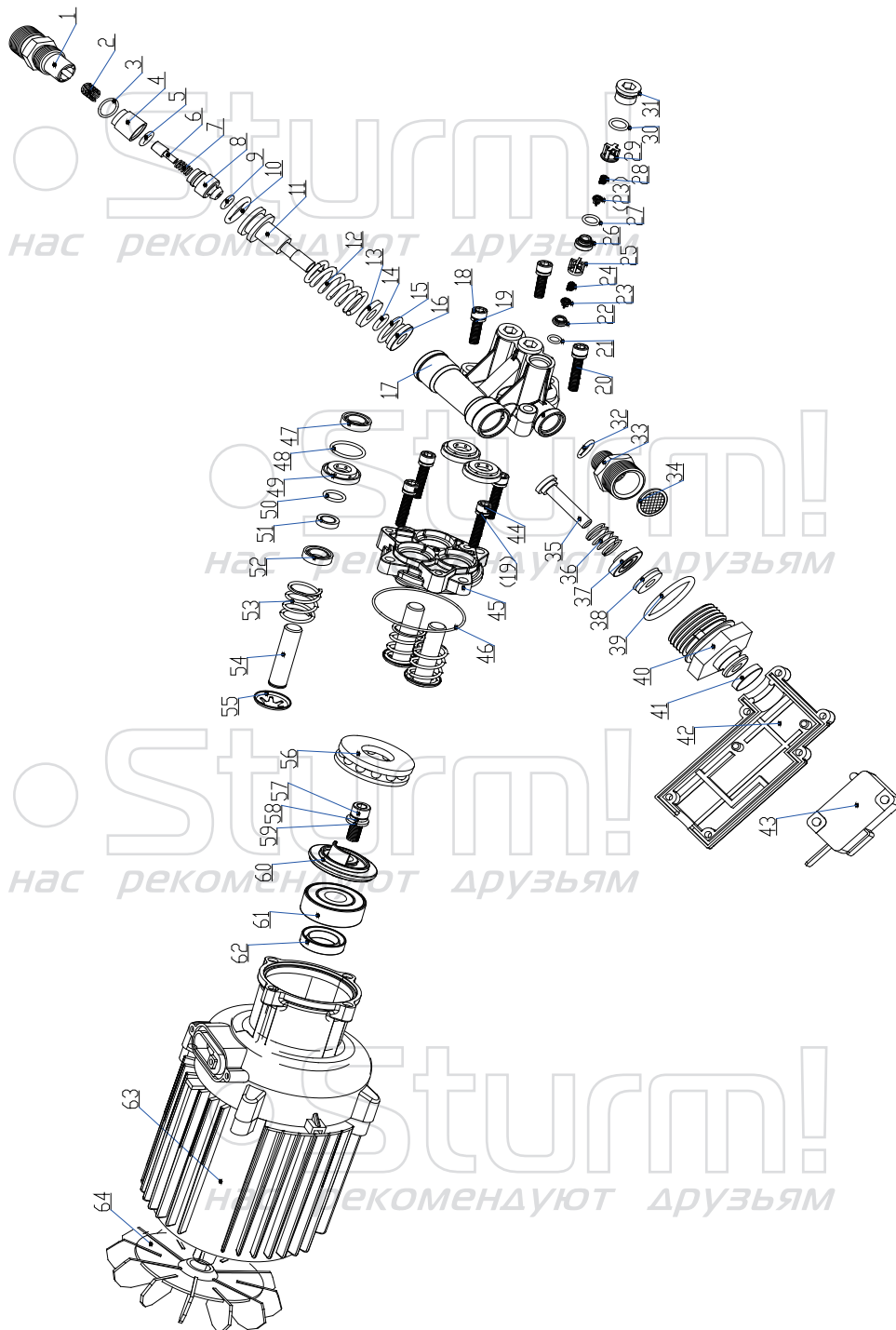


PW9225I

| NO. | DESCRIPTION | NO. | DESCRIPTION |
|-----|---------------------------------|-----|------------------------------|
| 1 | DECORATIVE BOARD | 41 | AXLE |
| 2 | LOGO BOARD | 42 | O-RING |
| 3 | LEFT DECORATIVE BOARD | 43 | INNER JOINT |
| 4 | RIGHT DECORATIVE BOARD | 44 | CIRCLIP FOR SHAFT |
| 5 | FRONT COVER | 45 | INSIDE PRESSURE HOSE |
| 6 | MOTOR FIXED PLATE | 46 | POWER CABLE |
| 7 | PUMP FIXED PLATE | 47 | OUTLET SHEATH |
| 8 | MOTOR PUMP ASSY | 48 | OUTLET PLATE |
| 9 | JACKET | 49 | EARTH WIRE |
| 10 | MOTOR TERMINAL BOX COVER | 50 | LEADING WIRE |
| 11 | TERMINAL | 51 | END CAP FOR JUNCTION BOX |
| 12 | MOTOR TERMINAL BOX | 52 | JUNCTION BOX |
| 13 | MOTOR RUBBER FEET | 53 | MAIN SWITCH |
| 14 | MOTOR PLASTIC HOUSING | 54 | JUNCTION BOX COVER |
| 15 | WATER BAFFLE RIGHT | 55 | SWITCH SHAFT |
| 16 | WATER BAFFLE LEFT | 56 | SWITCH CAP |
| 17 | GUN HOLDER A | 57 | DECORATIVE TRIM |
| 18 | BOTTOM COVER | 58 | CAPACITOR BOX |
| 19 | WHEEL | 59 | CAPACITOR |
| 20 | GASKET FOR WHEEL | 60 | CAPACITOR SHEATH |
| 21 | WHEEL COVER | 61 | SCREW ST4.8X16 |
| 22 | CABLE HOOK | 62 | SCREW ST4.8X20 |
| 23 | GUN HOLDER B | 63 | SCREW M4X10 |
| 24 | RETRACTABLE HANDLE'S BUTTON | 64 | FLAT WASHER M4 |
| 25 | RETRACTABLE HANDLE'S SPRING | 65 | Bolt M6X20 |
| 26 | RETRACTABLE HANDLE'S SKATEBOARD | 66 | SCREW ST4.8X25 |
| 27 | RETRACTABLE HANDLE'S HOLDER | 67 | Bolt M6X12 |
| 28 | CLEANING PIN | 68 | FLAT WASHER Ф6 |
| 29 | RETRACTABLE HANDLE'S END CAP | 69 | SCREW ST3.5X16 |
| 30 | RETRACTABLE HANDLE | 70 | SCREW M4X6 |
| 31 | HANDLE | 71 | SPRING WASHER Ф4 |
| 32 | HANDLE COVER | 72 | LOCK WASHER EXTERNAL TEETHФ4 |
| 33 | CRANK SLEEVE | 73 | SCREW ST4X16 |
| 34 | ROCKET CONNECTING ROD | 74 | SPRAY GUN HANDLE |
| 35 | CONNECTING ROD | 75 | SPRAY GUN LANCE |
| 36 | REEL BRACKET LEFT | 76 | SRPAY GUN NOZZLE |
| 37 | LEFT HOSE REEL | 77 | SOAP BOTTLE |
| 38 | 7M PRESSURE HOSE | 78 | TRANSPARANT MALE CONNECTOR |
| 39 | RIGHT HOSE REEL | | |
| 40 | REEL BRACKET RIGHT | | |

PW9225I-EX-RU231221-1



PW9225I

| NO. | DESCRIPTION | NO. | DESCRIPTION |
|-------|-------------------------|-----|----------------------------|
| 1 | WATER OUTLET JOINT ASS. | 43 | SWITCH ASSY |
| 2 | SPRING | 44 | BOLT M6X25 |
| 3 | O-RING 22X2.4 | 45 | PUMP BODY |
| 4 | BLOCKING | 46 | O-RING 58X2.65 |
| 5 | O-RING 5X1.8 | 47 | Y-RING 12X18X4 |
| 6 | VALVE CORE | 48 | O-RING 22X1.9 |
| 7 | VALVE SPRING | 49 | INTERMEDIATE SLEEVE |
| 8 | JACKET | 50 | O-RING 16X1.9 |
| 9 | O-RING 4.5X1.8 | 51 | INTERMEDIATE SPACER SLEEVE |
| 4-9 | PRESSURE LIMITED VALVE | 52 | SKELETON OIL SEAL |
| 10 | O-RING 16X2.4 | 53 | SPRING |
| 11 | PISTON | 54 | PLUNGER |
| 12 | SPRING | 55 | CLIP |
| 13 | SPRING BASE | 56 | BEARING 51107B |
| 14 | O-RING 5.6X1.8 | 57 | SCREW M8X20 |
| 15 | O-RING 12X1.8 | 58 | SPRING WASHERΦ8 |
| 16 | VALVE BASE | 59 | FLAT WASHERΦ8 |
| 10-16 | PISTON ASSY | 60 | BEARING SEAT |
| 17 | PUMP HEAD | 61 | BEARING 6303 |
| 18 | BOLT M6X25 | 62 | OIL SEAL 18X28X5MM |
| 19 | SPRING WASHERΦ6 | 63 | INDUCTION MOTOR |
| 20 | BOLT M6X35 | 64 | FAN |
| 21 | O-RING 6.5X1.5 | | |
| 22-26 | WATER OUTLET VALVE | | |
| 26+ | STAINLESS STEEL GASKET | | |
| 27 | O-RING 8.5X1.8 | | |
| 28-29 | WATER INLET VALVE | | |
| 30 | O-RING 14X1.9 | | |
| 31 | VALVE CAP | | |
| 32 | O-RING 18X2.4 | | |
| 33 | WATER INLET JOINT | | |
| 34 | FILTER | | |
| 35 | PUSH ROD FOR SWITCH | | |
| 36 | SPRING FOR PUSH ROD | | |
| 37 | COLLAR | | |
| 38 | Y-RING 4X11X2.5 | | |
| 39 | O-RING 22X1.9 | | |
| 40 | CONNECTING NUT | | |
| 41 | WATERPROOF CAP | | |
| 42 | SWITCH SHELL | | |

PW9225I-EX-RU231221-1